

SoniCrest

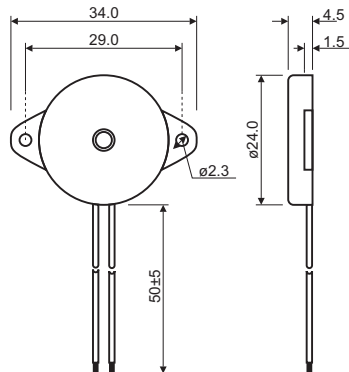
PIEZO SOUND GENERATORS



HPA24C

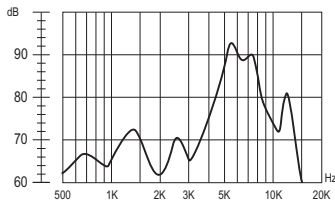
Dimension

Unit : mm
Tolerance : ± 0.3 mm



Frequency Response

Applied Voltage : 15Vp-p, 50% Duty Square Wave
Measuring Distance : 10cm



Specification (all data taken at 25°C unless otherwise specified)

HPA24C	Rated Voltage (Vp-p)	Operating Voltage (Vp-p)	★Rated Current (mA)	★Sound Output at 10cm (dB)	★Rated Frequency (Hz)	Capacitance (nF)	Operating Temperature (°C)	Storage Temperature (°C)	Weight (g)
	15	12 ~ 30	≤ 8	≥ 90	5500 ± 500	$15 \pm 30\%$	-20 ~ +70	-40 ~ +80	1.5

★Value Applying Rated Voltage, Rated Frequency, 50% Duty Square Wave