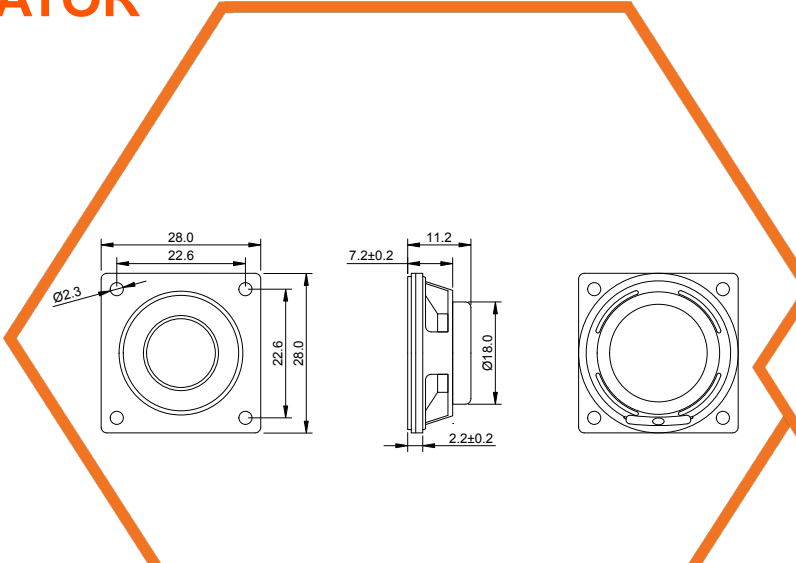
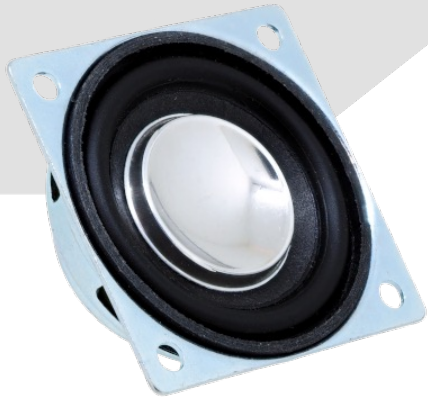


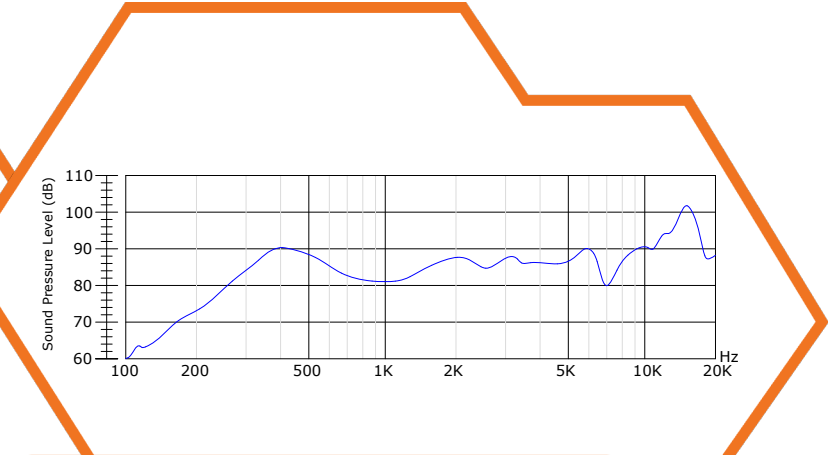
SoniCrest

SPEAKER SOUND GENERATOR

HSB2828D



Dimensions
Unit : mm
Tolerance : ±0.3mm



Frequency Response
Normalized to 0.1W Input Power and
0.1m Measuring Distance

Specification (all data taken at 25°C unless otherwise specified)

Part Number	Coil Impedance (Ω)	Rated Power (W)	Maximum Input Power (W)	*Frequency Range (Hz)	*Average Sound Pressure Level (dB)	Operating Temperature (°C)	Storage Temperature (°C)
HSB2828D-4/1430	4 ± 15%	2	3	500 to 20000	84 ± 3	-20 to +60	-30 to +70

The specification are only for 4Ω version. Specification for other impedance is available upon request.

*Value normalized to 0.1W input power and 0.1m measuring distance.