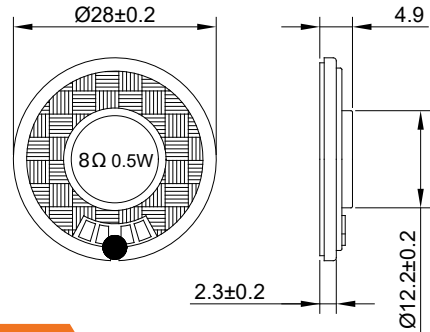


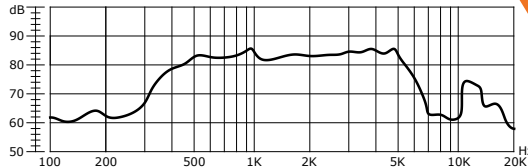
SoniCrest SPEAKER SOUND GENERATORS

HSB28AF



Dimensions

Unit : mm
Tolerance : ±0.3mm



Frequency Response

Normalization to 0.1W Input Power and
0.1m Measuring Distance

Specification (all data taken at 25°C unless otherwise specified)

Coil Impedance (Ω)	Rated Power (W)	Maximum Input Power (W)	Resonance Frequency (Hz)	*Frequency Range (Hz)	*Average Sound Pressure Level (dB)	Operating Temperature (°C)	Storage Temperature (°C)
8 ± 15%	0.5	1.0	600 ± 20%	600 ~ 6000	82 ± 3	-20 ~ +60	-30 ~ +60

HSB28AF-8

The specification are only for 8Ω version. Specification for other impedance is available upon request.

*Value normalized to 0.1W input power and 0.1m measuring distance.