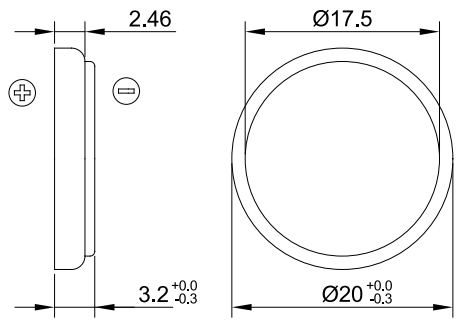
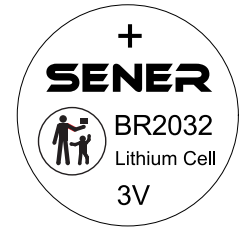


BR2032



Dimensions

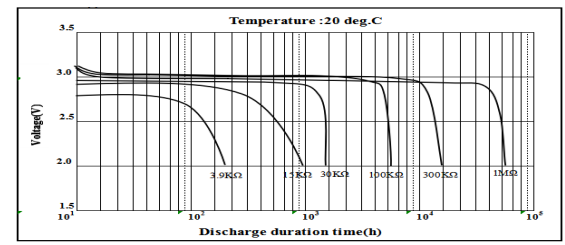
Unit : mm
Tolerance : ±0.3mm



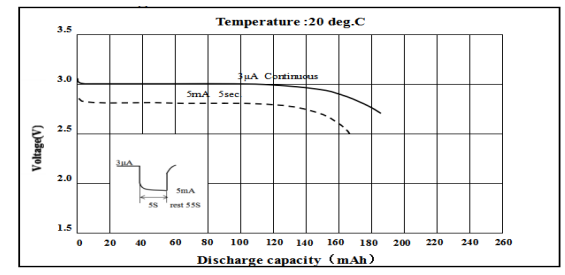
Part Number	Nominal Voltage (V)	Nominal Capacity (mAh)	Operating Temperature (°C)	Weight (g)
SBR2032	3	200	-40 to +85	3.0

Standard Characteristics

Discharge Characteristics



Pulse Discharge Characteristics



Discharge Characteristics at Different Temperature

