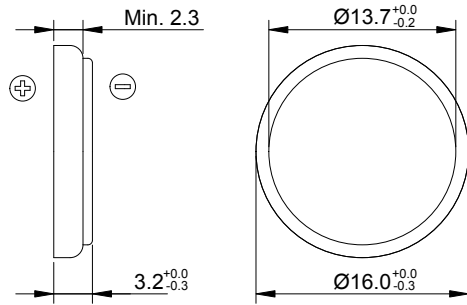
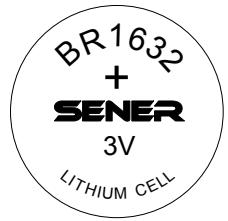


# BR1632



## Dimensions

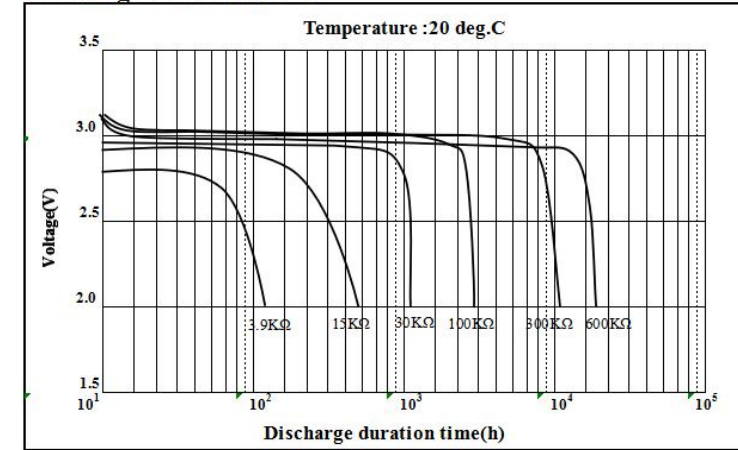
Unit : mm  
Tolerance :  $\pm 0.3$ mm



Part Number	Nominal Voltage (V)	Nominal Capacity (mAh)	Operating Temperature (°C)	Weight (g)
SBR1632	3	120	-40 to +85	1.8

## Standard Characteristics

### Discharge Characteristics



### Discharge Characteristics at Different Temperature

