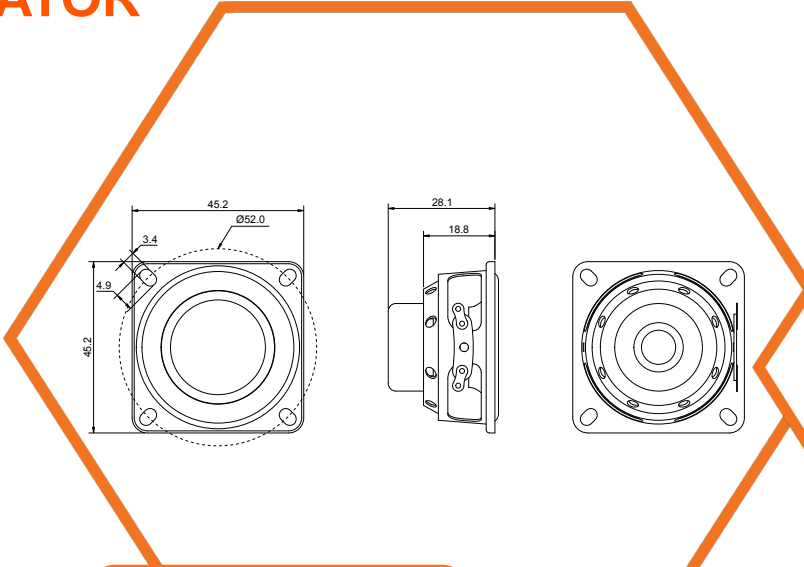


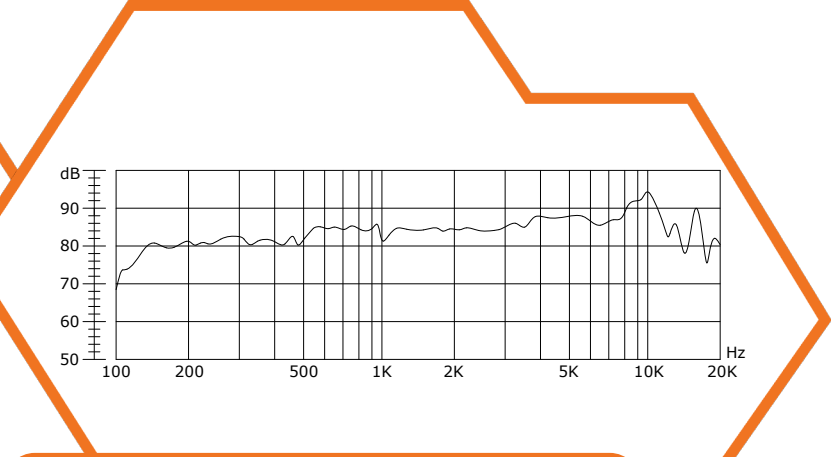
# SoniCrest

## SPEAKER SOUND GENERATOR

### HSB4545A



**Dimensions**  
Unit : mm  
Tolerance : ±0.3mm



**Frequency Response**  
Normalized to 1W Input Power and 1m Measuring Distance

Specification (all data taken at 25°C unless otherwise specified)

Part Number	Coil Impedance (Ω)	Rated Power (W)	Maximum Input Power (W)	*Frequency Range (Hz)	*Average Sound Pressure Level (dB)	Operating Temperature (°C)	Storage Temperature (°C)
HSB4545A-4	4 ± 15%	4	6	200 to 20000	84 ± 3	-20 to +60	-30 to +70

The specification are only for 4Ω version. Specification for other impedance is available upon request.

\*Value normalized to 1W input power and 1m measuring distance.