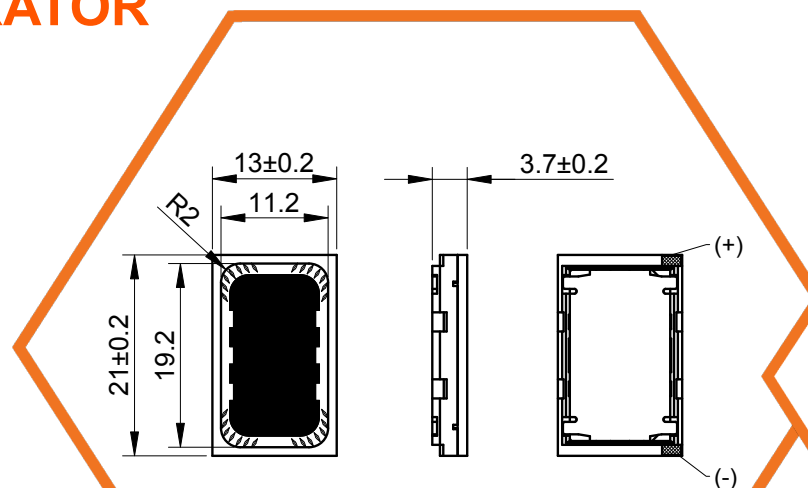
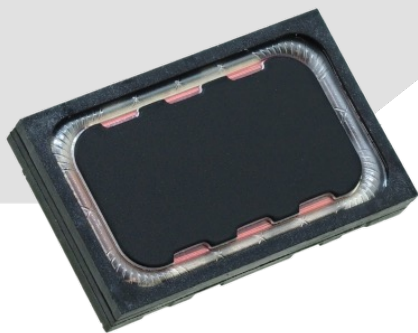


SoniCrest

SPEAKER SOUND GENERATOR

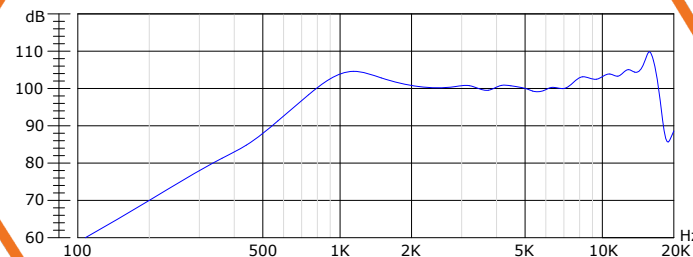
HSB1321A



Dimensions

Unit : mm

Tolerance : ± 0.3 mm



Frequency Response

Normalized to 2W Input Power and
0.1m Measuring Distance

Specification (all data taken at 25°C unless otherwise specified)

Part Number	Coil Impedance (Ω)	Rated Power (W)	Maximum Input Power (W)	*Frequency Range (Hz)	*Average Sound Pressure Level (dB)	Operating Temperature ($^{\circ}$ C)	Storage Temperature ($^{\circ}$ C)
HSB1321A-4	$4 \pm 20\%$	2.0	2.2	1050 to 20000	103.5 ± 3	-20 to +70	-40 to +85

The specification are only for 4 Ω version. Specification for other impedance is available upon request.

*Value normalized to 2W input power and 0.1m measuring distance.