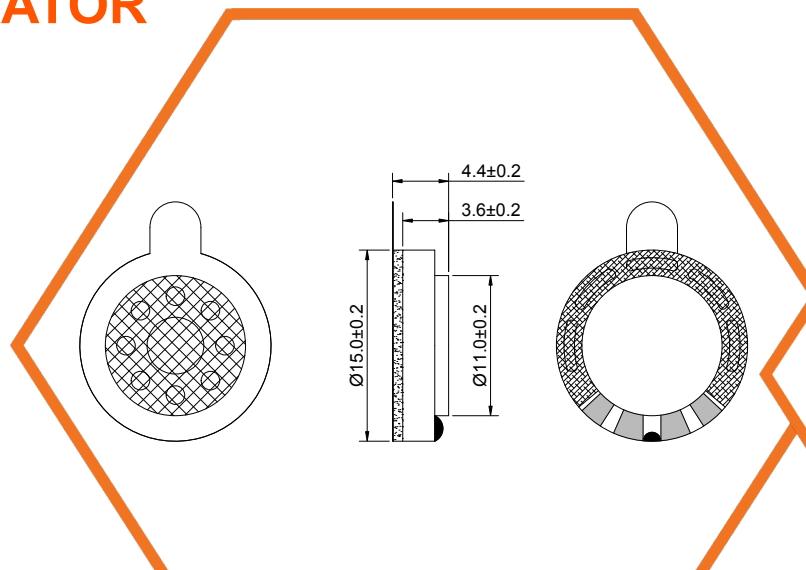


SoniCrest

SPEAKER SOUND GENERATOR

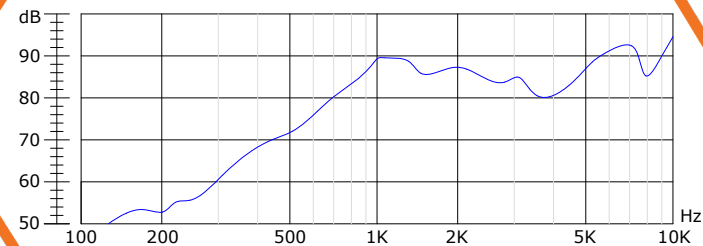
HSB15V



Dimensions

Unit : mm

Tolerance : ± 0.3 mm



Frequency Response

Normalized to 0.1W Input Power and 0.1m Measuring Distance

Specification (all data taken at 25°C unless otherwise specified)

Part Number	Coil Impedance (Ω)	Rated Power (W)	Maximum Input Power (W)	*Frequency Range (Hz)	*Average Sound Pressure Level (dB)	Operating Temperature ($^{\circ}$ C)	Storage Temperature ($^{\circ}$ C)
HSB15V-8	$8 \pm 15\%$	1.2	1.5	900 to 20000	88 ± 3	-30 to +70	-40 to +80

The specification are only for 8 Ω version. Specification for other impedance is available upon request.

*Value normalized to 0.1W input power and 0.1m measuring distance.