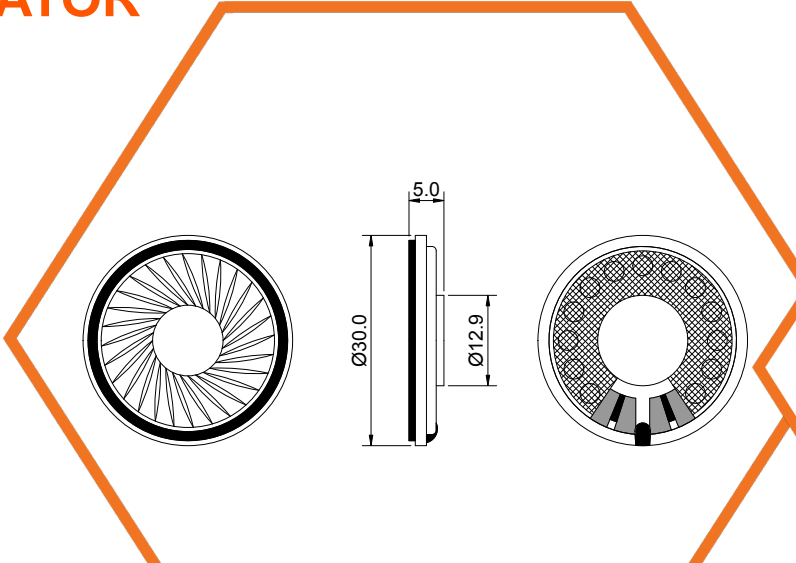


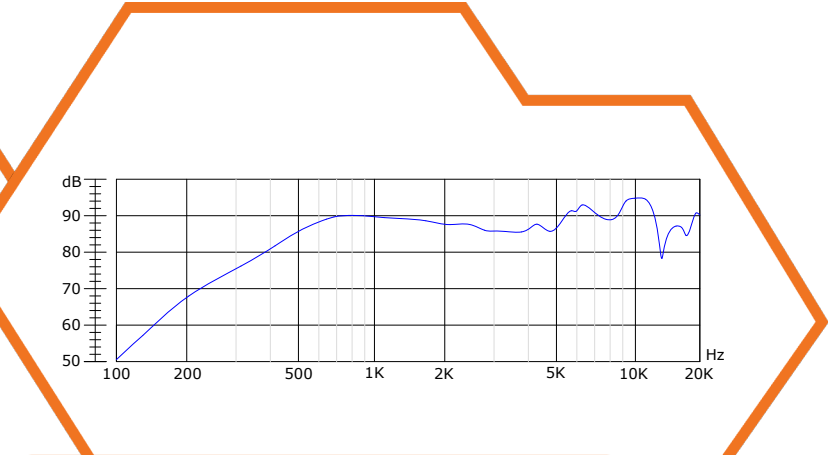
SoniCrest

SPEAKER SOUND GENERATOR

HSB30AA



Dimensions
 Unit : mm
 Tolerance : ±0.3mm



Frequency Response
 Normalized to 0.1W Input Power and
 0.1m Measuring Distance

Specification (all data taken at 25°C unless otherwise specified)

Part Number	Coil Impedance (Ω)	Rated Power (W)	Maximum Input Power (W)	*Frequency Range (Hz)	*Average Sound Pressure Level (dB)	Operating Temperature (°C)	Storage Temperature (°C)
HSB30AA-8	8 ± 15%	1.0	2.0	600 to 20000	88 ± 3	-30 to +60	-30 to +70

The specification are only for 8Ω version. Specification for other impedance is available upon request.

*Value normalized to 0.1W input power and 0.1m measuring distance.