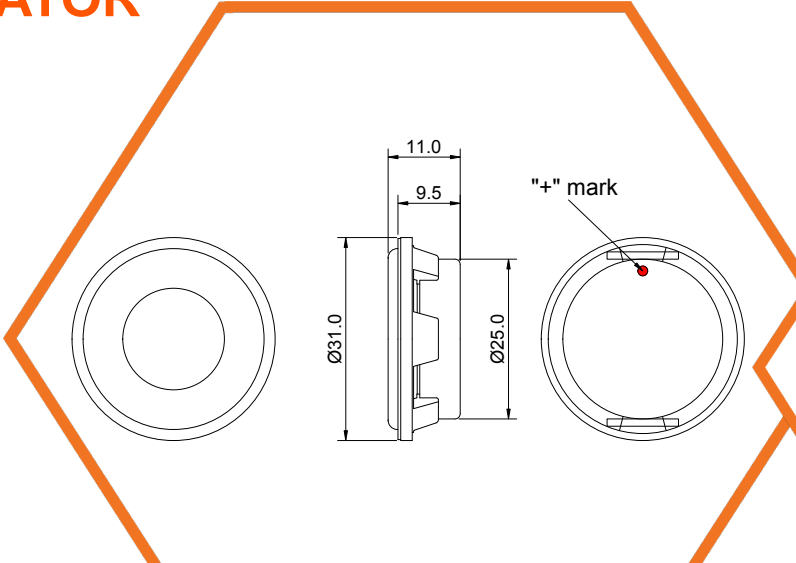


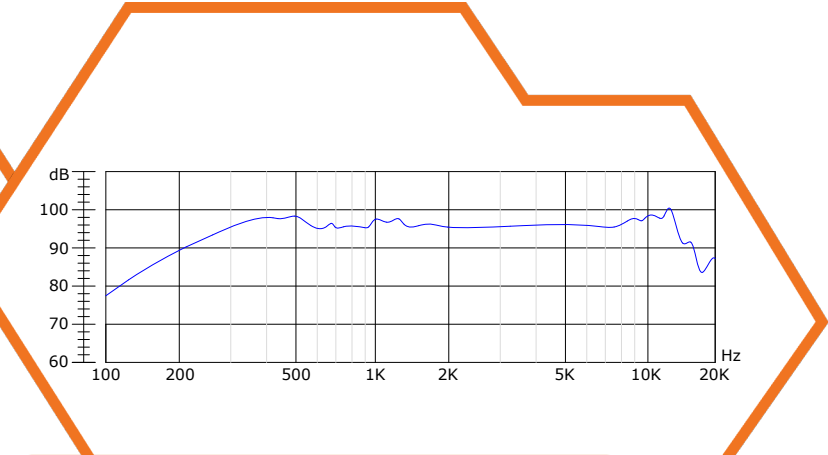
SoniCrest

SPEAKER SOUND GENERATOR

HSB31D



Dimensions
Unit : mm
Tolerance : ±0.3mm



Frequency Response
Normalized to 1W Input Power and
0.1m Measuring Distance

Specification (all data taken at 25°C unless otherwise specified)

Part Number	Coil Impedance (Ω)	Rated Power (W)	Maximum Input Power (W)	*Frequency Range (Hz)	*Average Sound Pressure Level (dB)	Operating Temperature (°C)	Storage Temperature (°C)
HSB31D-4	4 ± 15%	3.0	4.0	300 to 20000	95 ± 3	-40 to +85	-40 to +85

The specification are only for 4Ω version. Specification for other impedance is available upon request.

*Value normalized to 1W input power and 0.1m measuring distance.