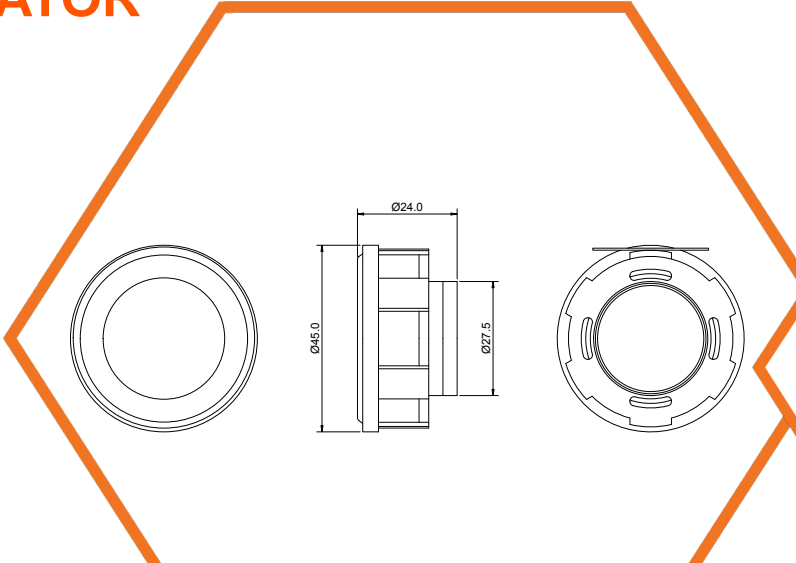


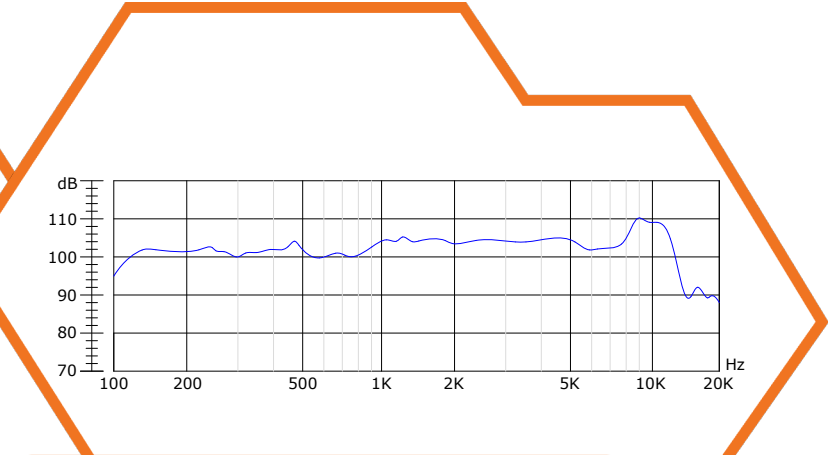
# SoniCrest

## SPEAKER SOUND GENERATOR

### HSB45M



**Dimensions**  
Unit : mm  
Tolerance : ±0.3mm



**Frequency Response**  
Normalized to 5W Input Power and  
0.1m Measuring Distance

Specification (all data taken at 25°C unless otherwise specified)

Part Number	Coil Impedance (Ω)	Rated Power (W)	Maximum Input Power (W)	*Frequency Range (Hz)	*Average Sound Pressure Level (dB)	Operating Temperature (°C)	Storage Temperature (°C)
HSB45M-4	4 ± 15%	5.0	6.0	130 to 20000	104 ± 3	-40 to +85	-40 to +85

The specification are only for 4Ω version. Specification for other impedance is available upon request.

\*Value normalized to 5W input power and 0.1m measuring distance.