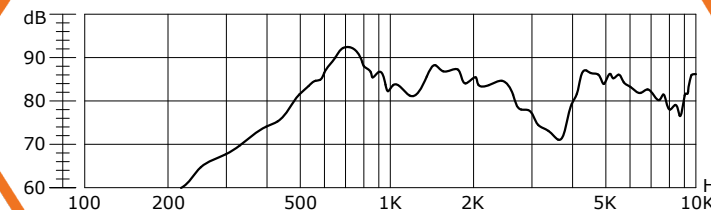
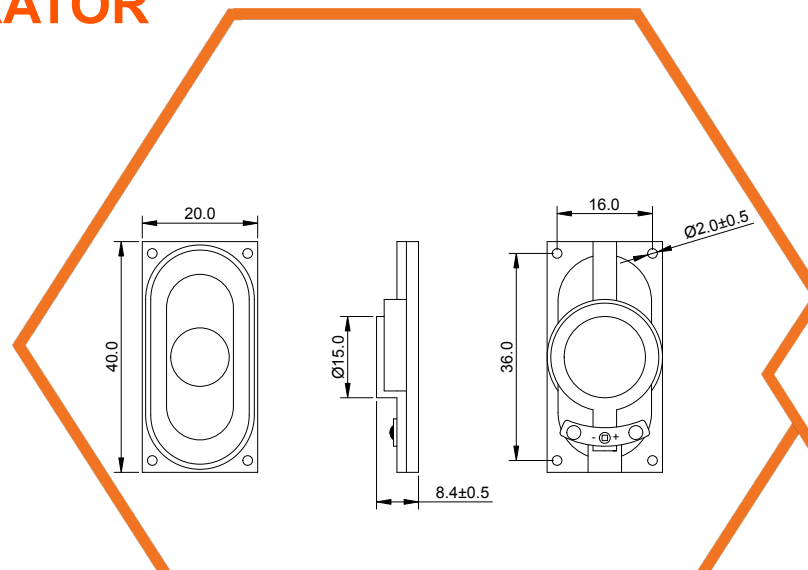


# SoniCrest

## SPEAKER SOUND GENERATOR

### HSP2040E



#### Dimensions

Unit : mm  
Tolerance :  $\pm 0.3\text{mm}$

#### Frequency Response

Normalized to 1W Input Power and  
0.5m Measuring Distance

Specification (all data taken at 25°C unless otherwise specified)

Part Number	Coil Impedance ( $\Omega$ )	Rated Power (W)	Maximum Input Power (W)	*Frequency Range (Hz)	*Average Sound Pressure Level (dB)	Operating Temperature ( $^{\circ}\text{C}$ )	Storage Temperature ( $^{\circ}\text{C}$ )
HSP2040E-8	$8 \pm 15\%$	2	3	650 to 6000	$86 \pm 3$	-30 to +70	-40 to +85

The specification are only for 8 $\Omega$  version. Specification for other impedance is available upon request.

\*Value normalized to 1W input power and 0.5m measuring distance.