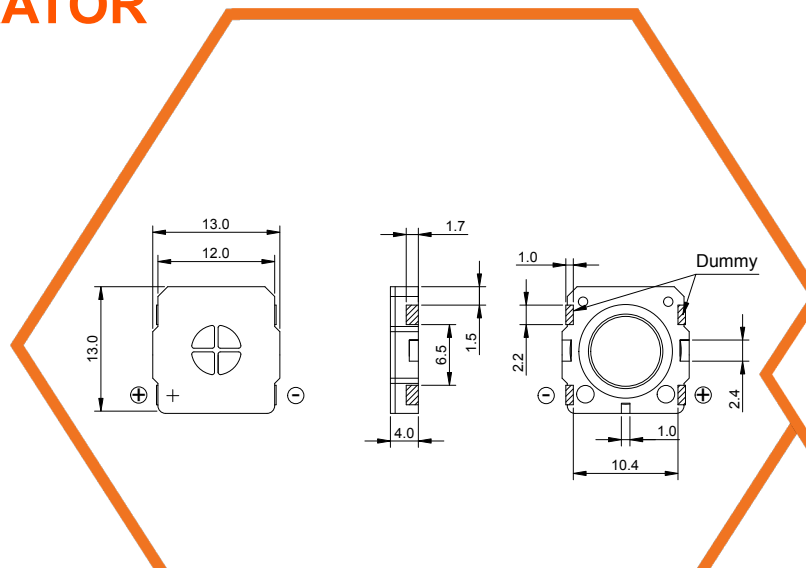
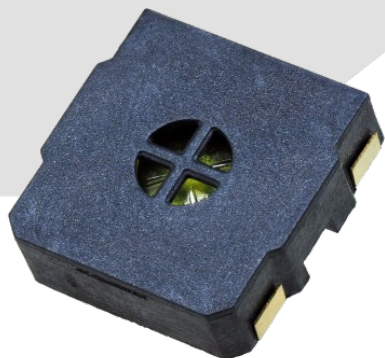


SoniCrest

SPEAKER SOUND GENERATOR

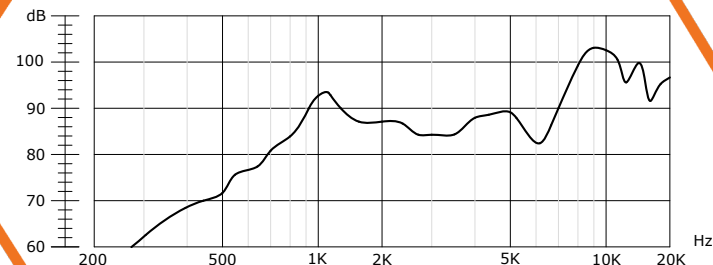
HSS1313B



Dimensions

Unit : mm

Tolerance : ± 0.3 mm



Frequency Response

Normalized to 0.7W Input Power and
0.1m Measuring Distance

Specification (all data taken at 25°C unless otherwise specified)

Part Number	Coil Impedance (Ω)	Rated Power (W)	Maximum Input Power (W)	*Frequency Range (Hz)	*Average Sound Pressure Level (dB)	Operating Temperature ($^{\circ}$ C)	Storage Temperature ($^{\circ}$ C)
HSS1313B-8	$8 \pm 20\%$	0.7	1.0	1100 to 20000	87 ± 3	-40 to +85	-40 to +85

The specification are only for 8 Ω version. Specification for other impedance is available upon request.

*Value normalized to 0.7W input power and 0.1m measuring distance.