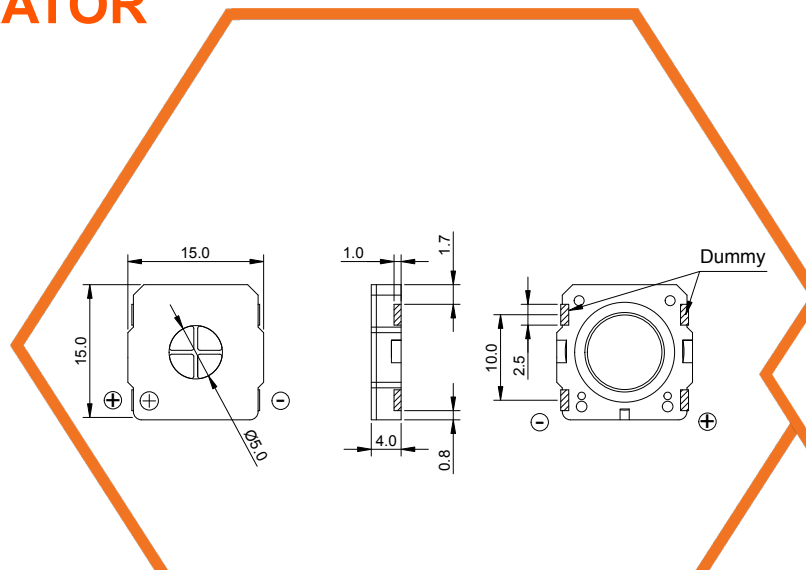
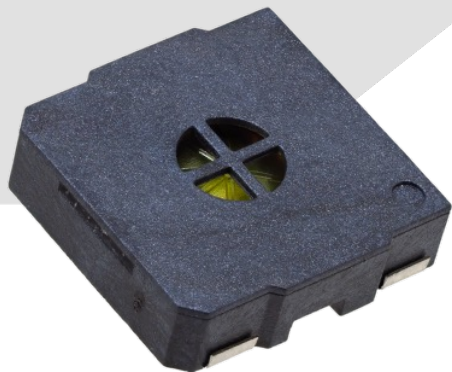


# SoniCrest

## SPEAKER SOUND GENERATOR

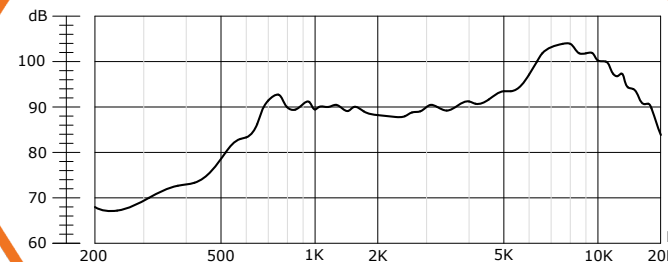
### HSS1515C



#### Dimensions

Unit : mm

Tolerance :  $\pm 0.3$ mm



#### Frequency Response

Normalized to 0.5W Input Power and  
0.1m Measuring Distance

Specification (all data taken at 25°C unless otherwise specified)

| Part Number | Coil Impedance ( $\Omega$ ) | Rated Power (W) | Maximum Input Power (W) | *Frequency Range (Hz) | *Average Sound Pressure Level (dB) | Operating Temperature ( $^{\circ}$ C) | Storage Temperature ( $^{\circ}$ C) |
|-------------|-----------------------------|-----------------|-------------------------|-----------------------|------------------------------------|---------------------------------------|-------------------------------------|
| HSS1515C-8  | $8 \pm 20\%$                | 0.5             | 0.8                     | 850 to 20000          | $87 \pm 3$                         | -40 to +85                            | -40 to +105                         |

The specification are only for 8 $\Omega$  version. Specification for other impedance is available upon request.

\*Value normalized to 0.5W input power and 0.1m measuring distance.