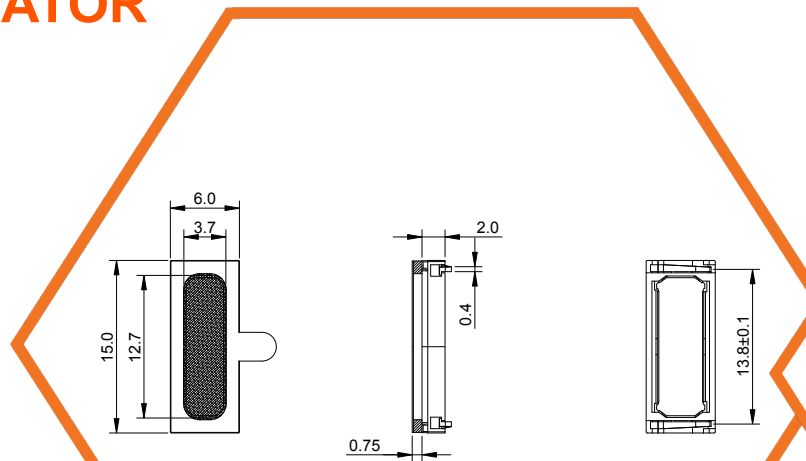


# SoniCrest

## SPEAKER SOUND GENERATOR

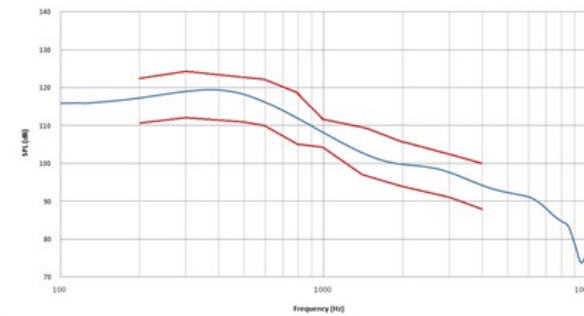
### HSR0615L



#### Dimensions

Unit : mm

Tolerance :  $\pm 0.3$ mm



#### Frequency Response

Applied signal: 1mW, Sine Wave  
Based on IEC-R318 standard

Specification (all data taken at 25°C unless otherwise specified)

Part Number	Coil Impedance ( $\Omega$ )	Rated Power (mW)	Maximum Input Power (mW)	*Frequency Range (Hz)	*Sound Pressure Level at 1KHz (dB)	Operating Temperature ( $^{\circ}$ C)	Storage Temperature ( $^{\circ}$ C)
HSR0615L-32	$32 \pm 15\%$	20	50	300 to 7000	$108 \pm 3$	-20 to +50	-25 to +60

The specification are only for 32 $\Omega$  version. Specification for other impedance is available upon request.

\*Value applied: 1mW input power, based on IEC-R318 standard.