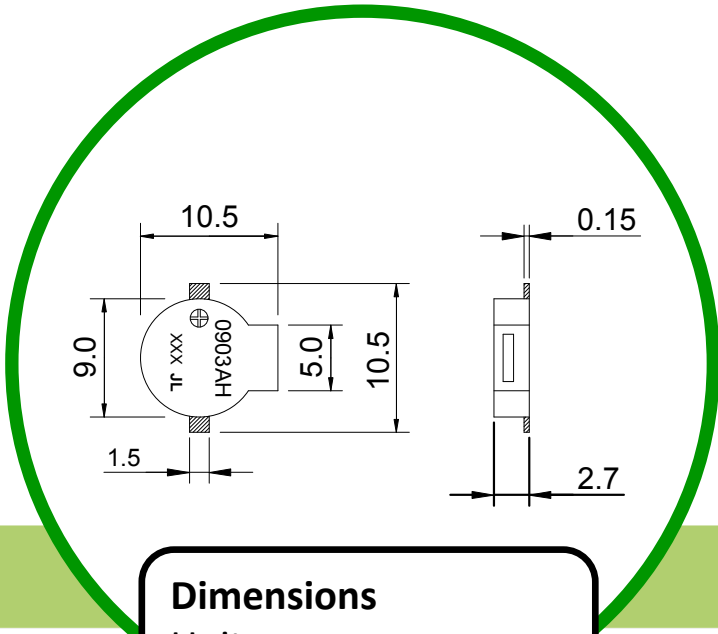
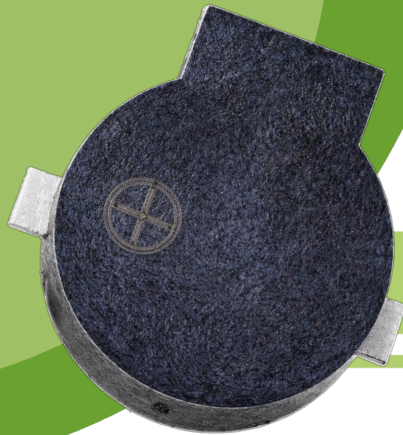


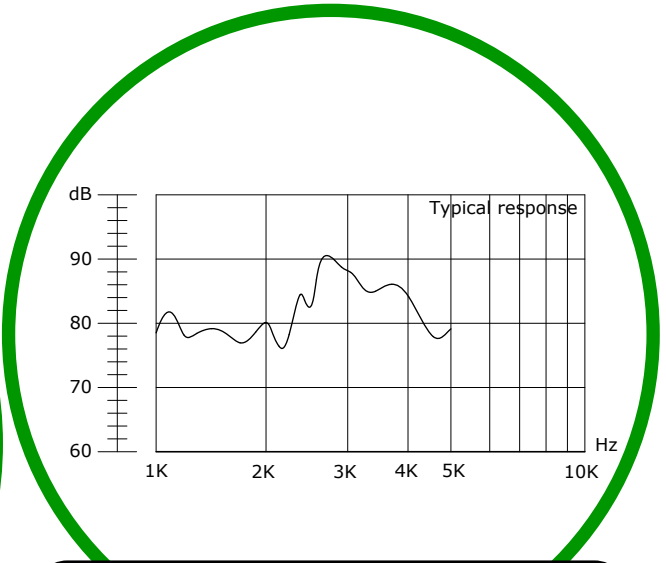
SoniCrest

Electro-magnetic Sound Generator

HCS09AH Series



Dimensions
 Unit : mm
 Tolerance : ±0.3mm



Frequency Response
 Measuring Temperature : 25°C
 Measuring Distance : 10cm

Specification (all data taken at 25°C unless otherwise specified)

Part Number	Rated Voltage (V)	Operating Voltage (V)	*Rated Current (mA)	Coil Resistance (Ω)	*Sound Pressure Level at 10cm (dB)	Rated Frequency (Hz)	Operating Temperature (°C)	Storage Temperature (°C)
HCS0903AH	3	2 to 4	≤80	16±3	≥85	2731	-20 to +60	-30 to +70

Value applying rated voltage, rated frequency, 50% duty square wave